

Page 1 **BRAUN schematic**
Page 2 **BRAUN-visaWiring**
Page 3 **BRAUN-visa1000-PCBosc**
Page 4 **Visacustic1000-PCB-Reg**
Page 5 **Visacustic1000-zoomREG**

Oszillator-Leiter-
platte —

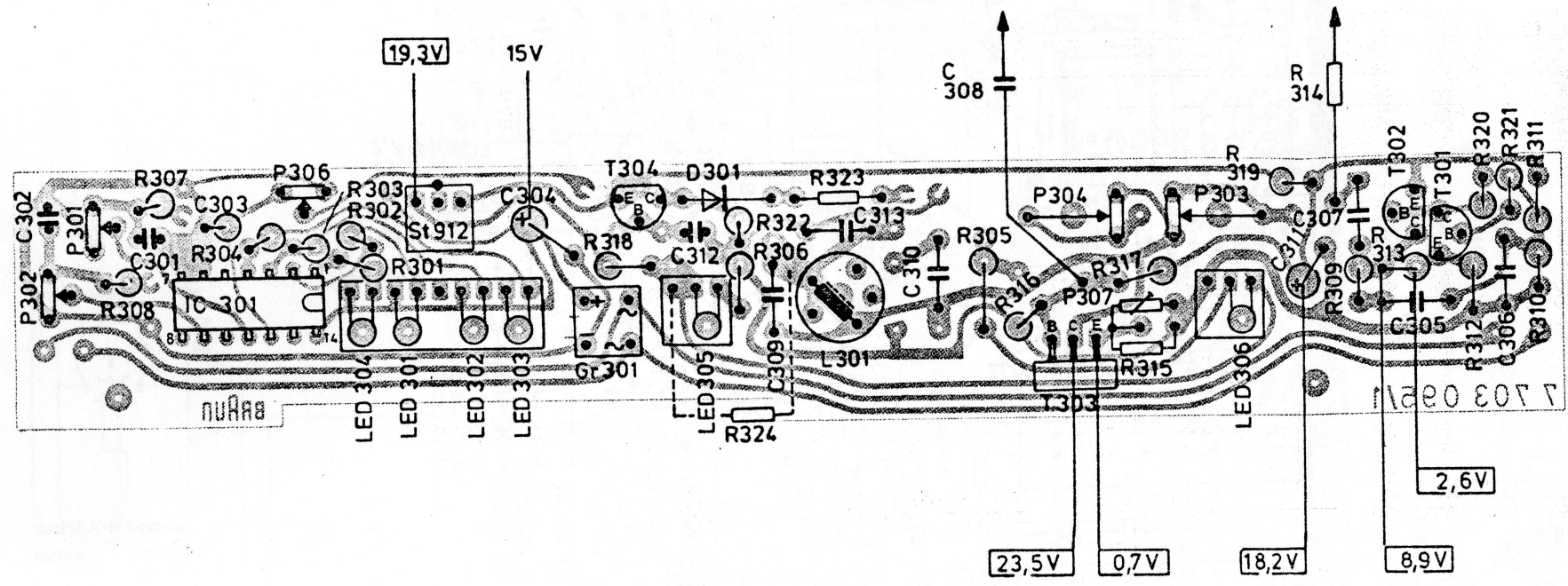
Visacoustic 1000 stereo

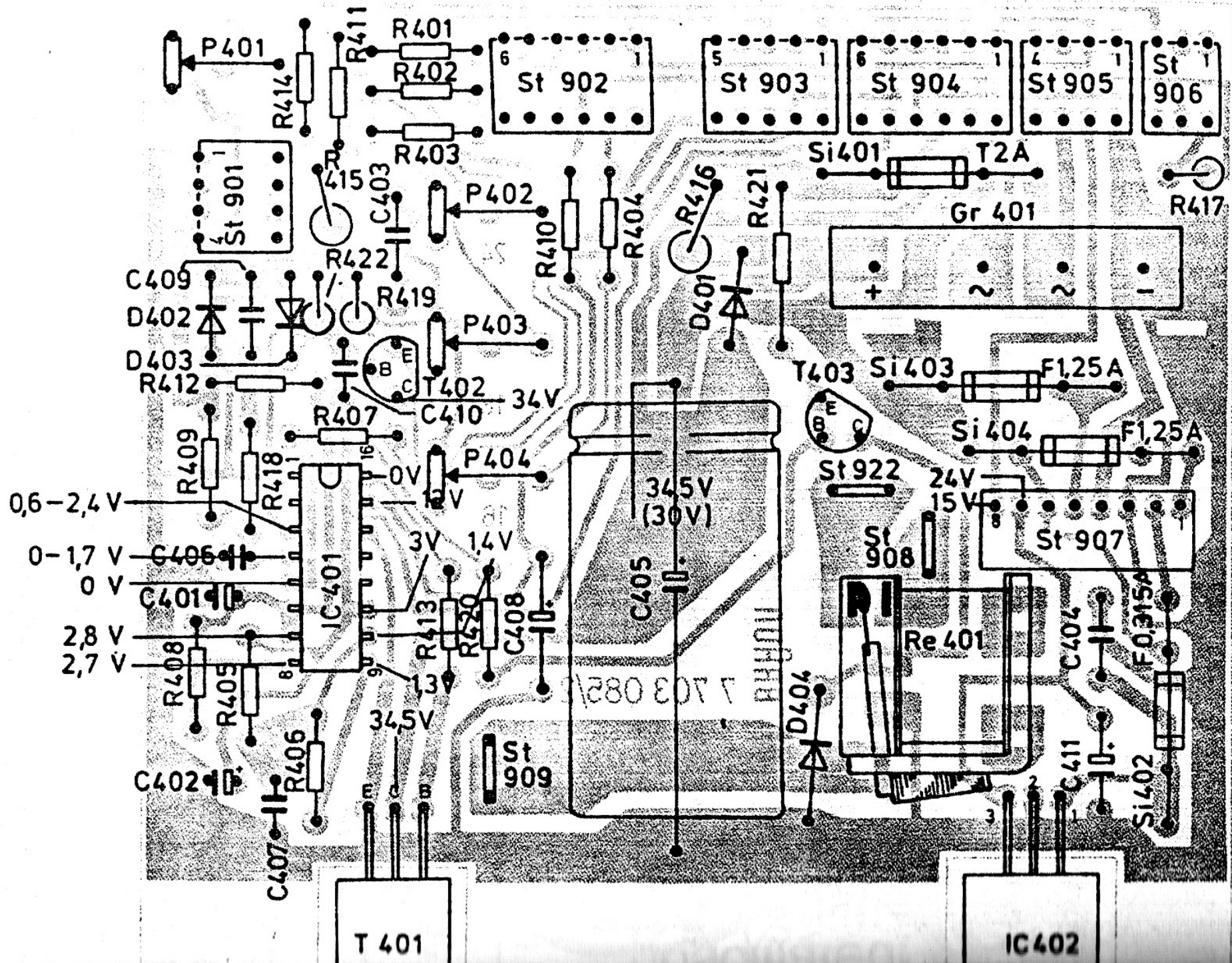
Oscillator circuit
board —

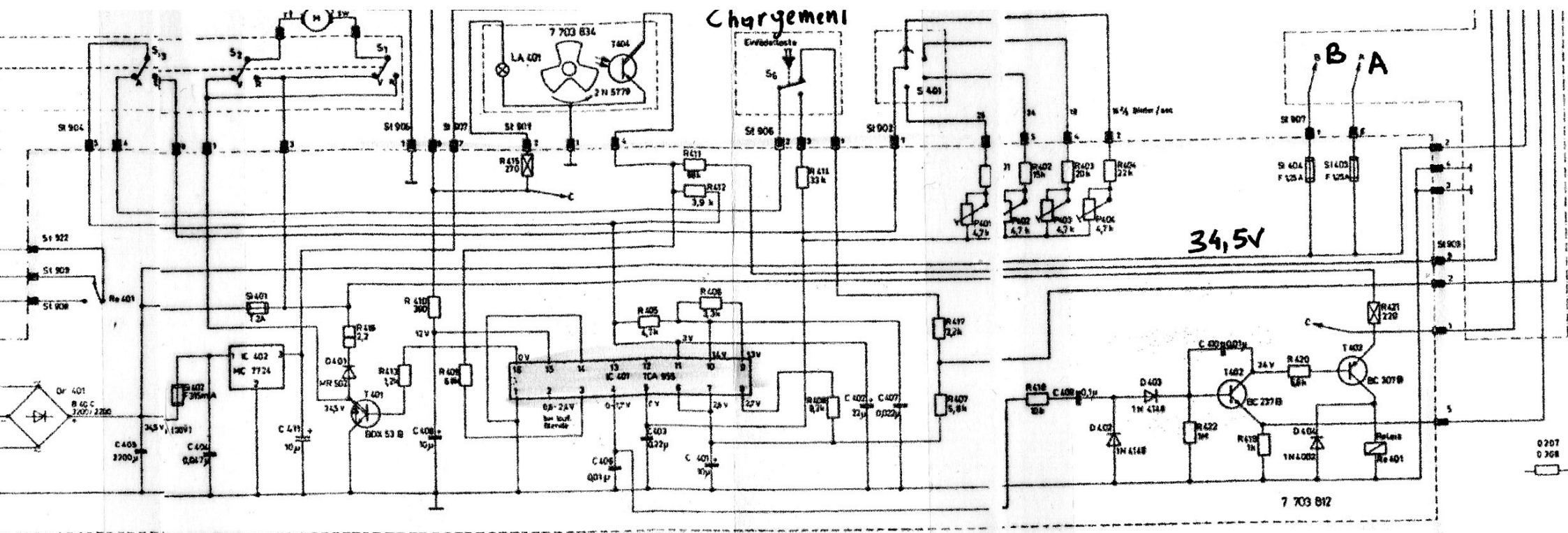
Visacoustic 1000 stereo

circuit imprimé
oscillateur —

Visacoustic 1000 stéréo







Chargement

34,5V

B A

7 703 812